

CLARKE®



AXLE STANDS

MODEL NO: CAX6TP

PART NO: 7600076

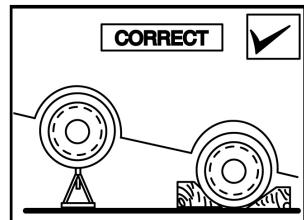
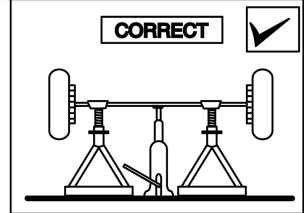
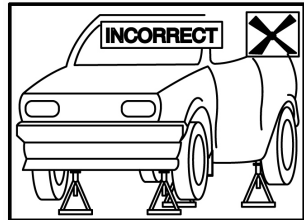
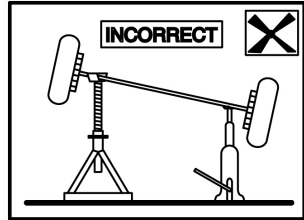
INSTRUCTIONS

CE

GC219 - ISS - 2

SAFETY WARNINGS - ALWAYS READ BEFORE USE

- Read these instructions carefully before use.
- Do not exceed the axle stands maximum load (3 tonne each/ 6 tonnes per pair). The vehicle weight will be in the owners manual.
- Use only as specified in this manual.
- NEVER let children play in or around a vehicle that is on axle stands.
- ALWAYS make sure that before you work below the vehicle, a responsible person is aware in case of injury or accident.
- Do not use more than one pair of axle stands.
- Replace the warning label if it becomes unreadable.
- Use only on a hard, flat surface for example concrete.
- Make sure that you chock all the wheels that remain on the ground.
- Make sure that the supported vehicle cannot move.
- Set each axle stand below an appropriate point on the vehicle - See your vehicle owners manual for advice.
- Take care when using the axle stands on a three-wheeled vehicle or trailer.
- Upper and lower columns are to be used as a pair as supplied.
- Use stands as a matched pair to support one end of a vehicle only.
- For your safety, do not modify these axle stands.



WARNING: USE ONLY ON A HARD, FLAT SURFACE, E.G. CONCRETE.

WARNING: NEVER WORK UNDER A VEHICLE SUPPORTED ONLY BY A JACK.

WARNING: AFTER LIFTING THE VEHICLE, SUPPORT IMMEDIATELY WITH PROPERLY RATED AXLE STANDS

USING THE AXLE STANDS



WARNING: BEFORE USE, MAKE SURE THAT THERE IS NO DAMAGE TO ANY PART OF THE AXLE STAND. IF THERE IS, DO NOT USE.

WARNING: IT MUST BE ENSURED THAT THE VEHICLE/LOAD IS CAREFULLY LOCATED ONTO THE CENTRE OF THE AXLE STAND SADDLE. FAILURE TO DO THIS CAN RESULT IN DAMAGE TO THE AXLE STANDS, LOSS OF SUPPORT TO THE LOAD, SERIOUS PERSONAL INJURY OR LOSS OF LIFE.

WARNING: DO NOT EXCEED THE RATED LOAD OF 6 TONNES (PER PAIR).

WARNING: USE ONLY ON A HARD, FLAT SURFACE, E.G. CONCRETE.

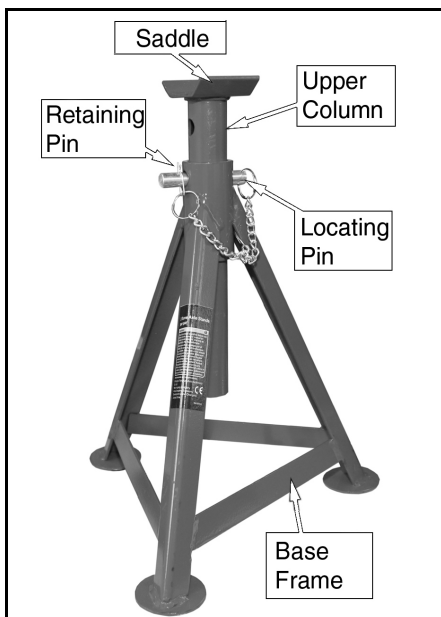
1. Refer to the vehicle handbook for the correct jacking procedure and location of support points.

ADJUST THE AXLE STAND

1. Remove the locating pin (if fitted).
2. Raise the upper column to the required height & insert the locating pin into the lowest hole visible.
3. Fit the retaining pin to the end of the locating pin to secure in place.
4. Position the axle stand under a suitable supporting point. See your vehicle manual for the location.

LOWERING THE VEHICLE

1. Slowly lower the vehicle onto the centre of the saddle.



WARNING: DO NOT LOAD THE STANDS OFF CENTRE. FAILURE TO HEED THIS WARNING MAY CAUSE DAMAGE, INJURY OR LOSS OF LIFE.

TO REMOVE THE AXLE STANDS

1. Raise the vehicle clear of the axle stands and remove the stands.
2. Ensure that all tools, equipment and personnel are clear before carefully lowering the vehicle to the ground.

GUARANTEE

This product is guaranteed against faulty manufacture for a period of 12 months from the date of purchase. Please keep your receipt which will be required as proof of purchase.

This guarantee is invalid if the product is found to have been abused or tampered with in any way, or not used for the purpose for which it was intended.

Faulty goods should be returned to their place of purchase, no product can be returned to us without prior permission.

This guarantee does not effect your statutory rights

SPECIFICATION

Maximum Height	492 mm
Minimum Height	324 mm
Maximum Load	6 Tonnes per pair
Product Weight	2.2 kg each
Number of Height Positions	5

A SELECTION FROM THE VAST RANGE OF

Clarke®

QUALITY PRODUCTS

AIR COMPRESSORS

From DIY to industrial, Plus air tools, spray guns and accessories.

GENERATORS

Prime duty or emergency standby for business, home and leisure.

POWER WASHERS

Hot and cold, electric and engine driven - we have what you need

WELDERS

Mig, Arc, Tig and Spot. From DIY to auto/industrial.

METALWORKING

Drills, grinders and saws for DIY and professional use

WOODWORKING

Saws, sanders, lathes, mortisers and dust extraction.

HYDRAULICS

Cranes, body repair kits, transmission jacks for all types of workshop use.

WATER PUMPS

Submersible, electric and engine driven for DIY, agriculture and industry.

POWER TOOLS

Angle grinders, cordless drill sets, saws and sanders.

STARTERS/CHARGERS

All sizes for car and commercial use.